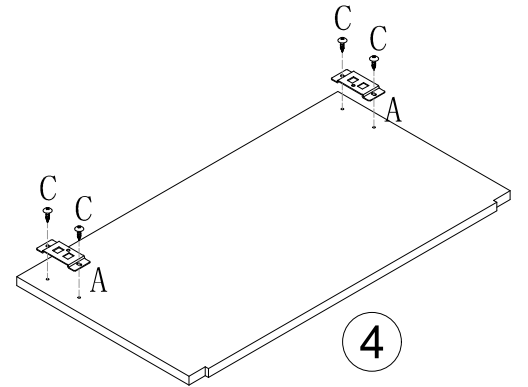
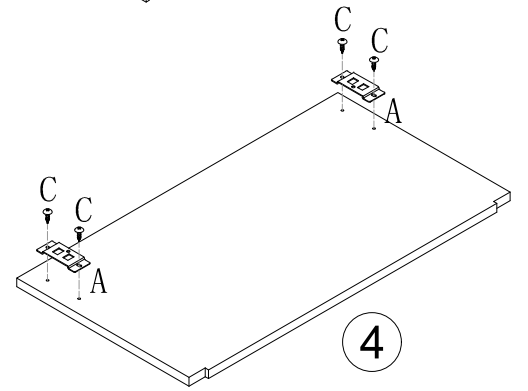
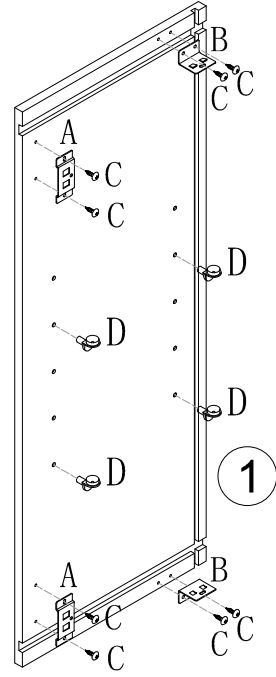
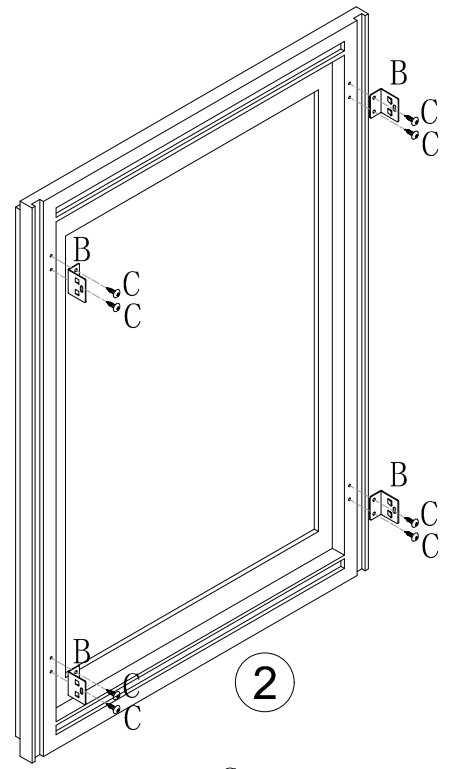
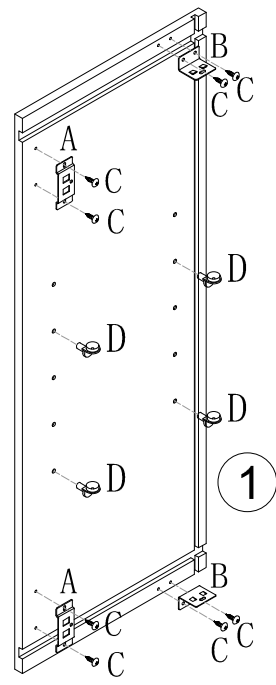
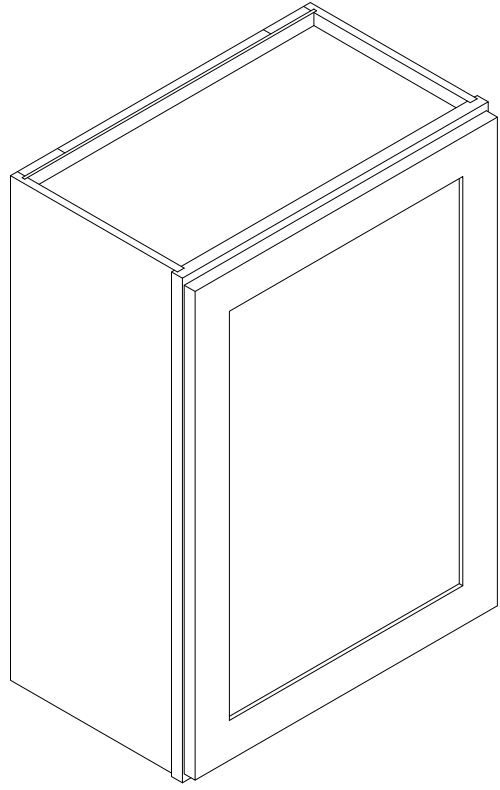


# ASSEMBLY INSTRUCTIONS

W0930/W1230/W1530/W1830/W2130

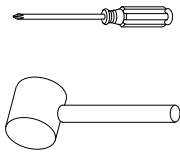
## Step 1



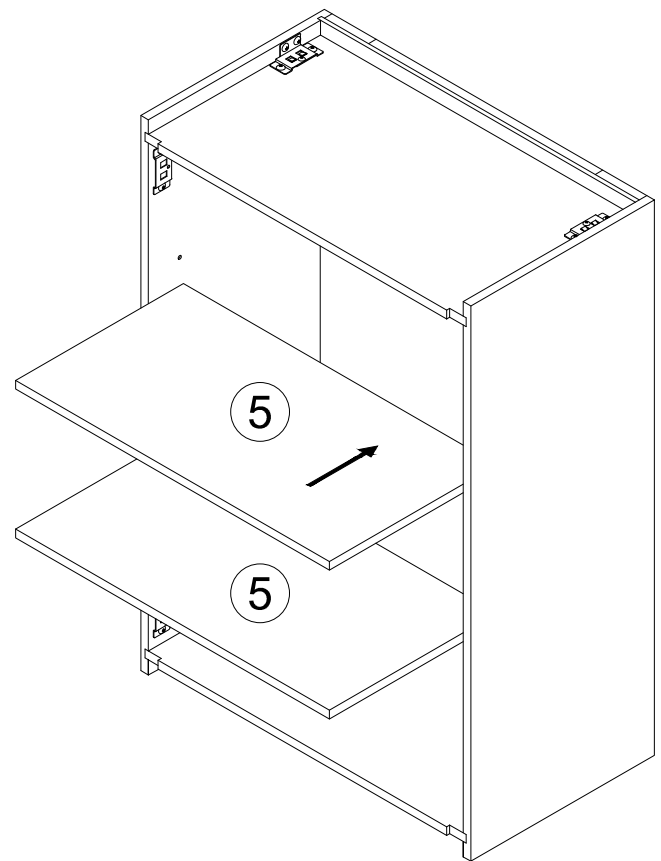
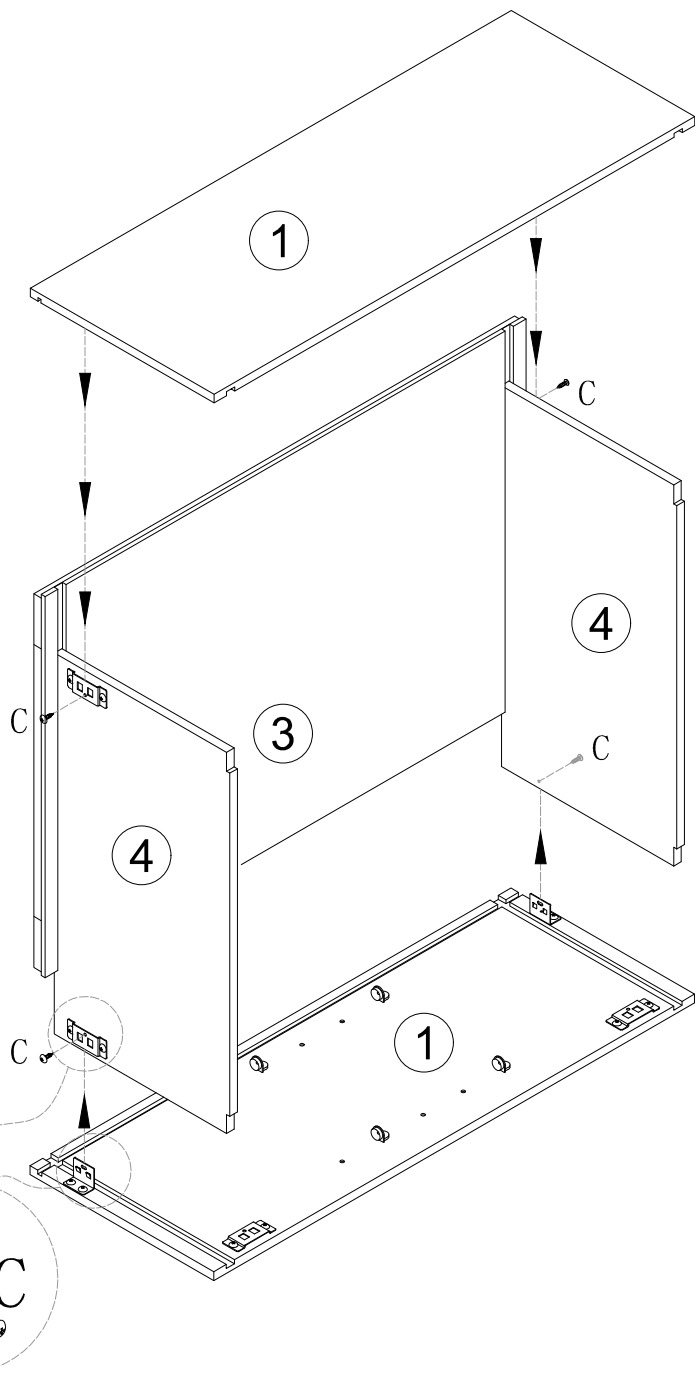
### Parts list

NO.	Parts	QTY
A		8
B		8
C	 (M4*0.47")	40
D		8

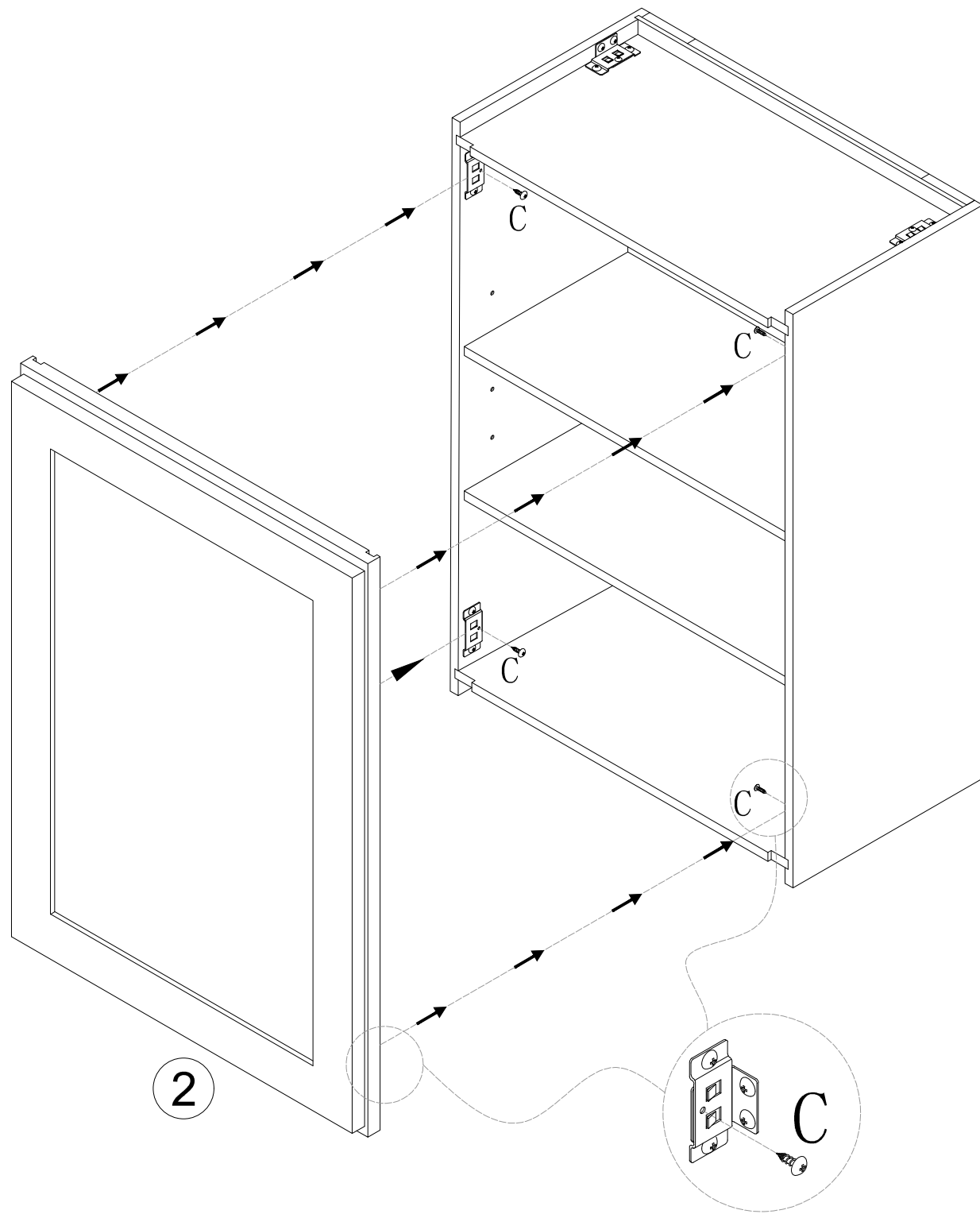
### Tools (required but not provided)



## Step 2



Step 3



Finished

